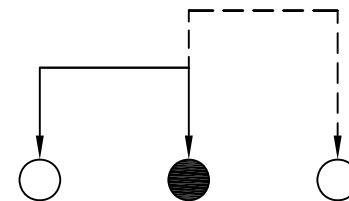
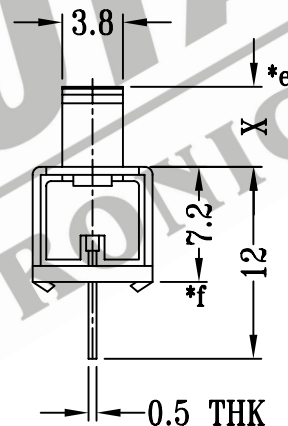
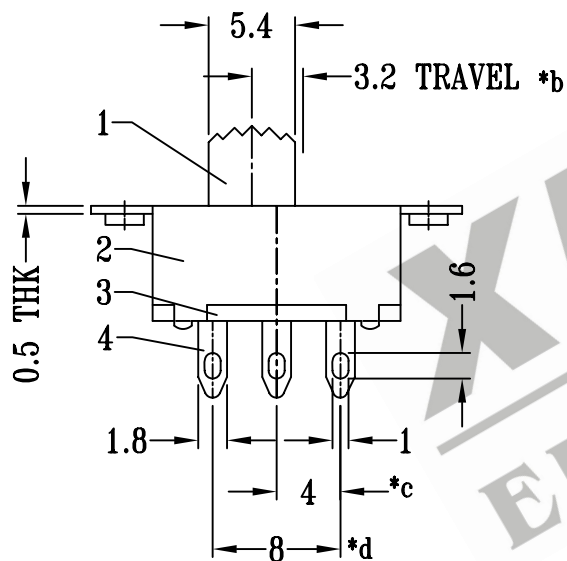
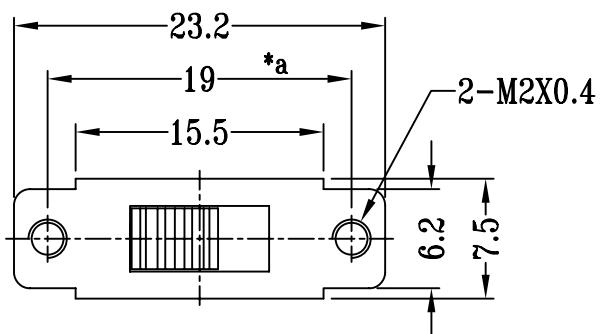
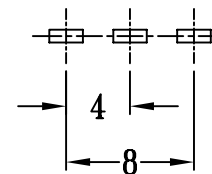


CAD FILE:



SCHEMATIC (NON-SHORTING)



P.C.B LAYOUT

注:带"*"表示关键尺寸(6个)

				TOLERANCE UNLESS SPECIFIED	SHENZHEN XIEJIA ELECTRONICS CO.,LTD.						
8				WITHIN: 1.5±0.1mm OVER : 1.5±0.2mm	ISSUE	DATE	DESCRIPTIONS OF REVISION		APPD.		
7											
6	CONTACT CLIP	COPPER STRIP	1	Ag PLATED	TITLE : VERTICAL SLIDE SWITCH				UNIT : mm	DRWG NO.: XJ-DR-SS12F13-00	
5	SPRING	STEEL WIRE	1	TEMPER					SCALE: 2 : 1	DWN.	ZHOUYU
4	TERMINAL	BRASS STRIP	3	Ag PLATED OVER Ni PLATED	MODEL: SS-12F13				CHK'D	FANGYING	2004-8-23
3	BASE	PHENOLIC RESIN	1	BLACK					APPD.	KANGXINAN	2004-8-23
2	FRAME	STEEL STRIP	1	BLACK	ALL MATERIALS MUST BE COMPLIANT TO ROHS						
1	KNOB	POM	1	BLACK							
NO.	PARTS	MATERIALS	Q'TY	FINISH							